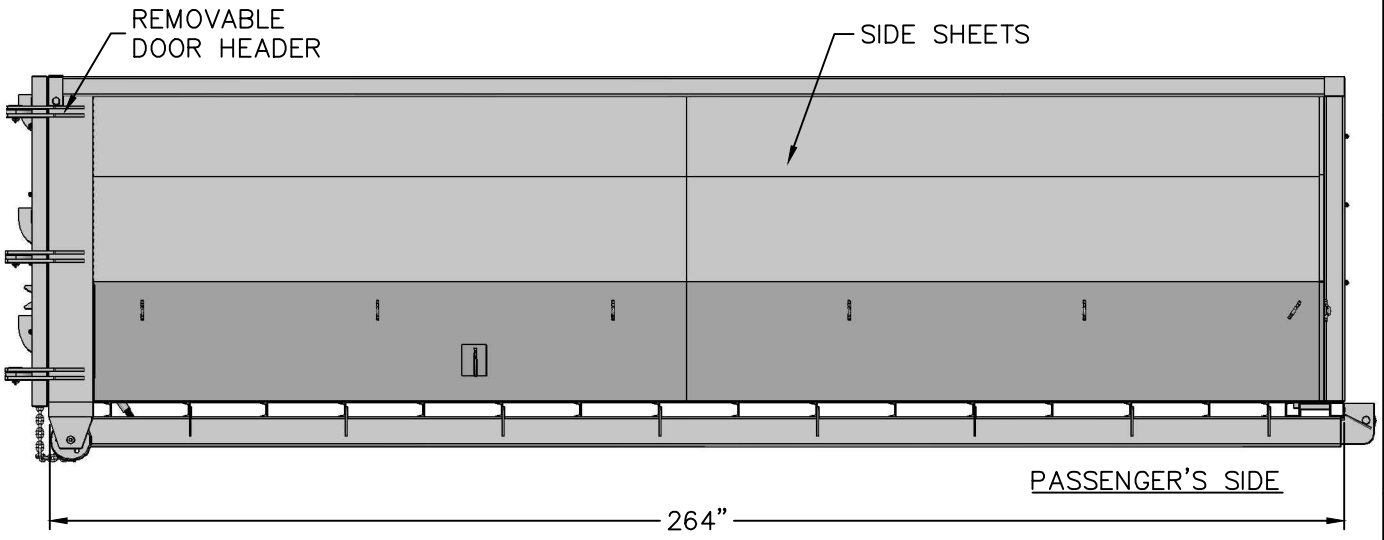
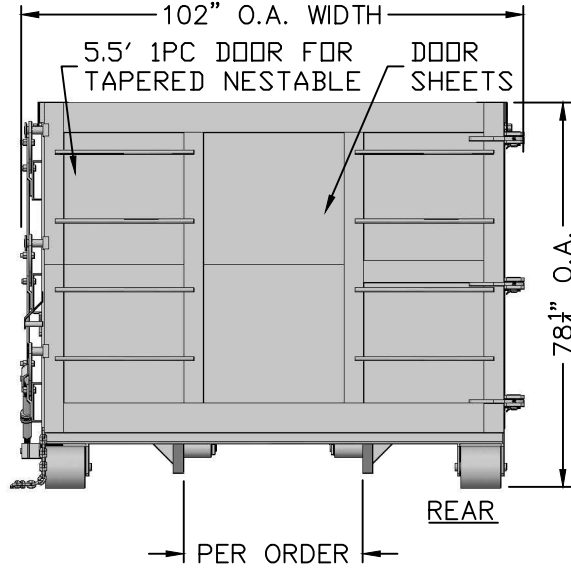
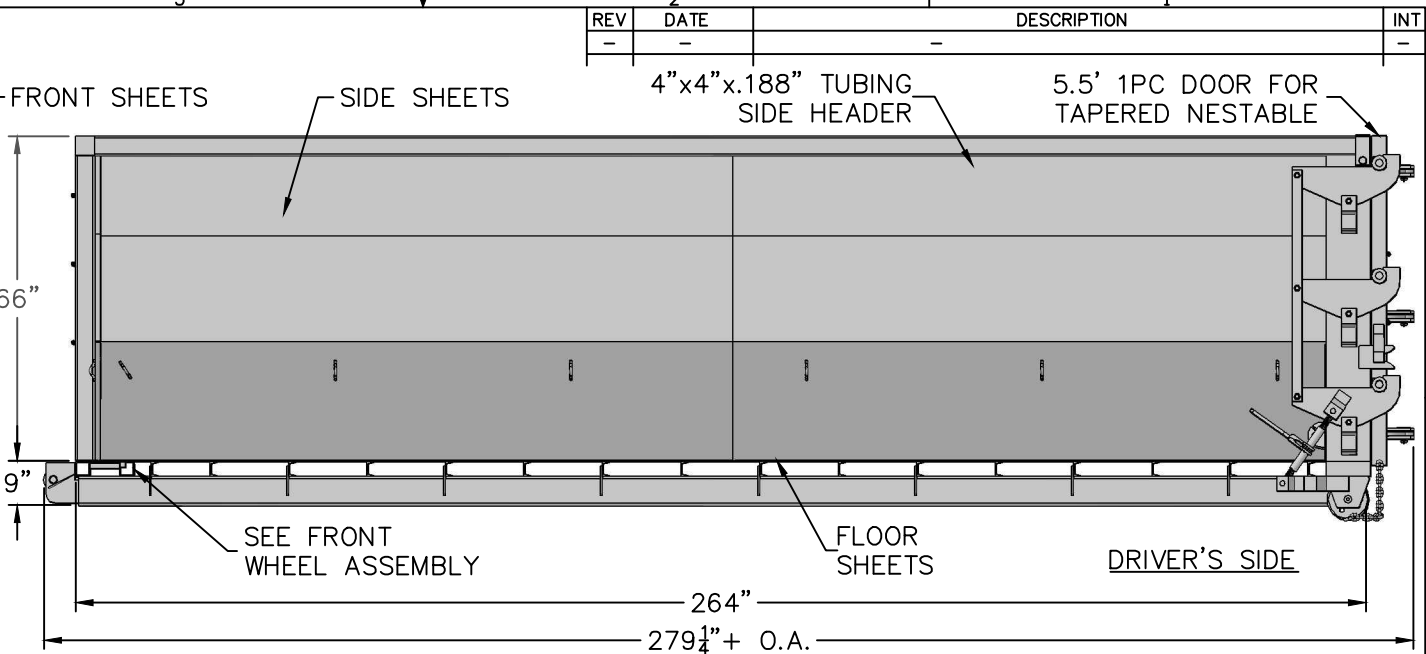
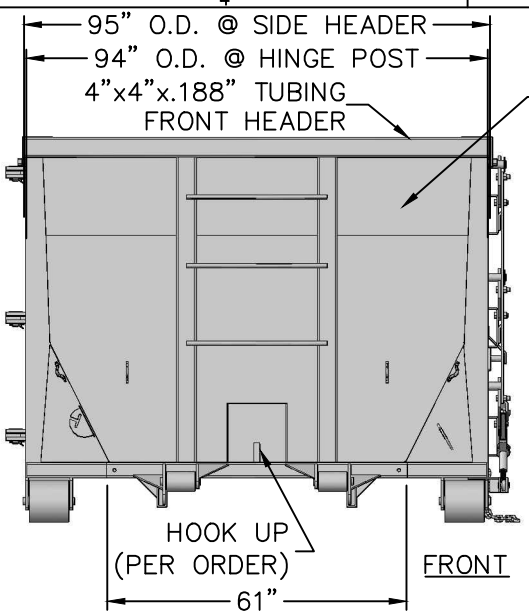


REV	DATE	DESCRIPTION	INT
-	-	-	-



SPECS.	STYLE	FLOOR	SIDES	DOOR
	STANDARD	12GA	12GA	12GA
	HEAVY DUTY	10GA	10GA	10GA
	HEAVY DUTY 7	7GA	10GA	10GA

NOTES:
1) ALL DIMENSIONS ARE IN INCHES, +/- 1/4", UNLESS OTHERWISE SPECIFIED ON THE DRAWING.
2) PLEASE REVIEW DRAWING(S), MAKE ANY CHANGES OR MODIFICATIONS THAT ARE APPROPRIATE, SIGN AND RETURN.

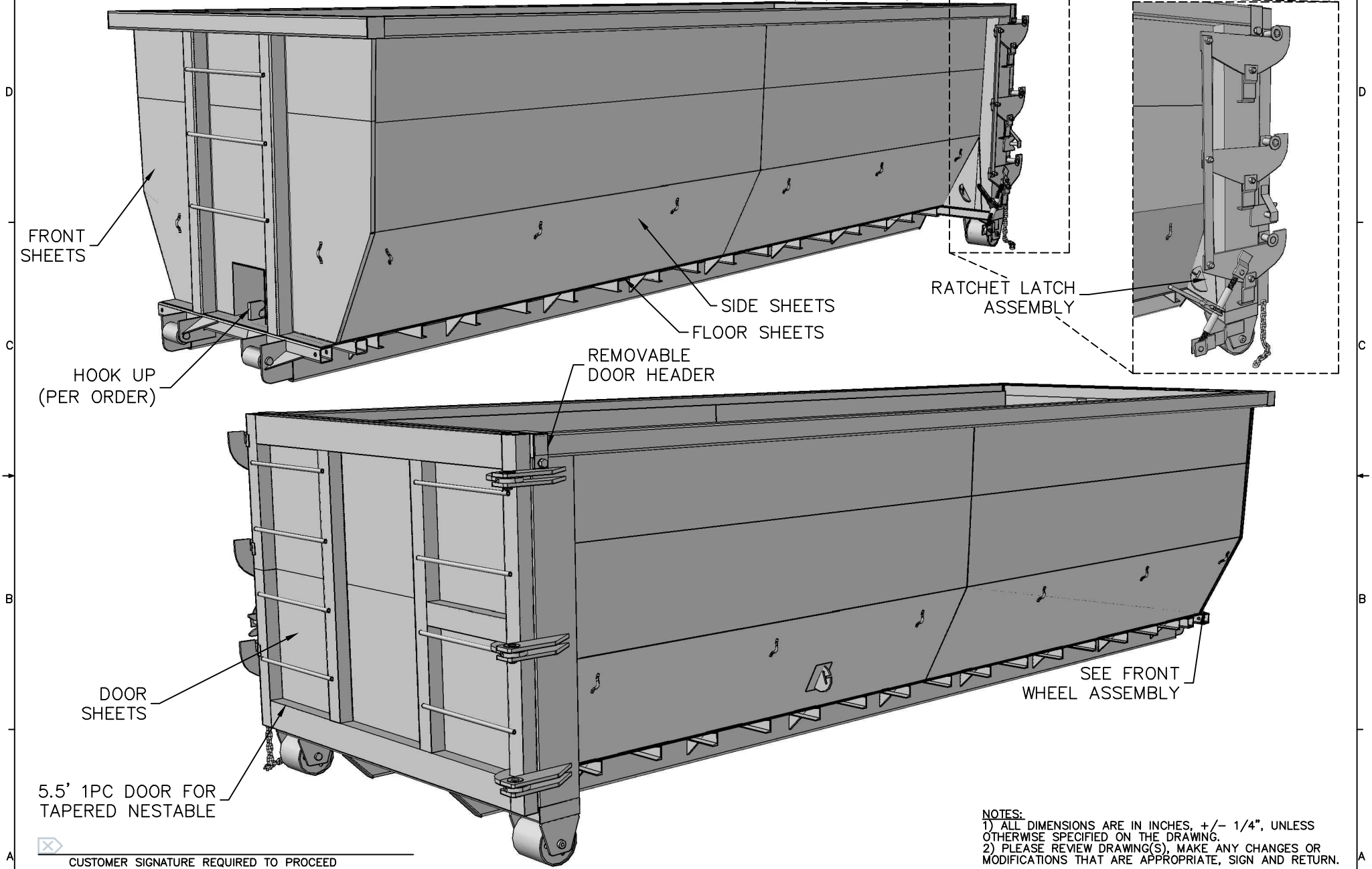
CUSTOMER SIGNATURE REQUIRED TO PROCEED

CONFIDENTIAL PROPERTY OF CFC
THIS DRAWING AND ALL OF THE INFORMATION CONTAINED HEREIN IS THE SOLE PROPERTY OF CONSOLIDATED FABRICATORS CORP. AND IS ONLY TO BE VIEWED, COPIED, SHARED OR TRANSMITTED BY AUTHORIZED PARTIES.



TITLE: 22' X 5.5' TAPERED NESTABLE W/1PC SIDE HINGE DOOR & REMOVABLE DOOR HEADER			
DRAWN BY: F. DUTRA	DATE: 11-19-12	SCALE: N.T.S.	CUSTOMER: PROSPECTIVE CUSTOMER
(800)635-8335 TOLL FREE		www.con-fab.com	PAGE: 1 OF 2
		FILE NAME: ENG\CFC\GREY SCALE DIMS\22x5.5' TAPERED NESTABLE W/REMOVABLE DOOR HEADER	

REV	DATE	DESCRIPTION	INT
-	-	-	-



NOTES:
 1) ALL DIMENSIONS ARE IN INCHES, +/- 1/4", UNLESS OTHERWISE SPECIFIED ON THE DRAWING.
 2) PLEASE REVIEW DRAWING(S), MAKE ANY CHANGES OR MODIFICATIONS THAT ARE APPROPRIATE, SIGN AND RETURN.

 CUSTOMER SIGNATURE REQUIRED TO PROCEED



CONFIDENTIAL PROPERTY OF CFC
 THIS DRAWING AND ALL OF THE INFORMATION CONTAINED HEREIN IS THE SOLE PROPERTY OF CONSOLIDATED FABRICATORS CORP. AND IS ONLY TO BE VIEWED, COPIED, SHARED OR TRANSMITTED BY AUTHORIZED PARTIES.



TITLE: 22' X 5.5' TAPERED NESTABLE W/1PC SIDE HINGE DOOR & REMOVABLE DOOR HEADER			
DRAWN BY: F. DUTRA	DATE: 11-19-12	SCALE: N.T.S.	CUSTOMER: PROSPECTIVE CUSTOMER
(800)635-8335 TOLL FREE		www.con-fab.com	FILE NAME: ENG\CFC\GREY SCALE DIMS\22x5.5 FT TAPERED NESTABLE W/REMOVABLE DOOR HEADER
		PAGE: 2 OF 2	