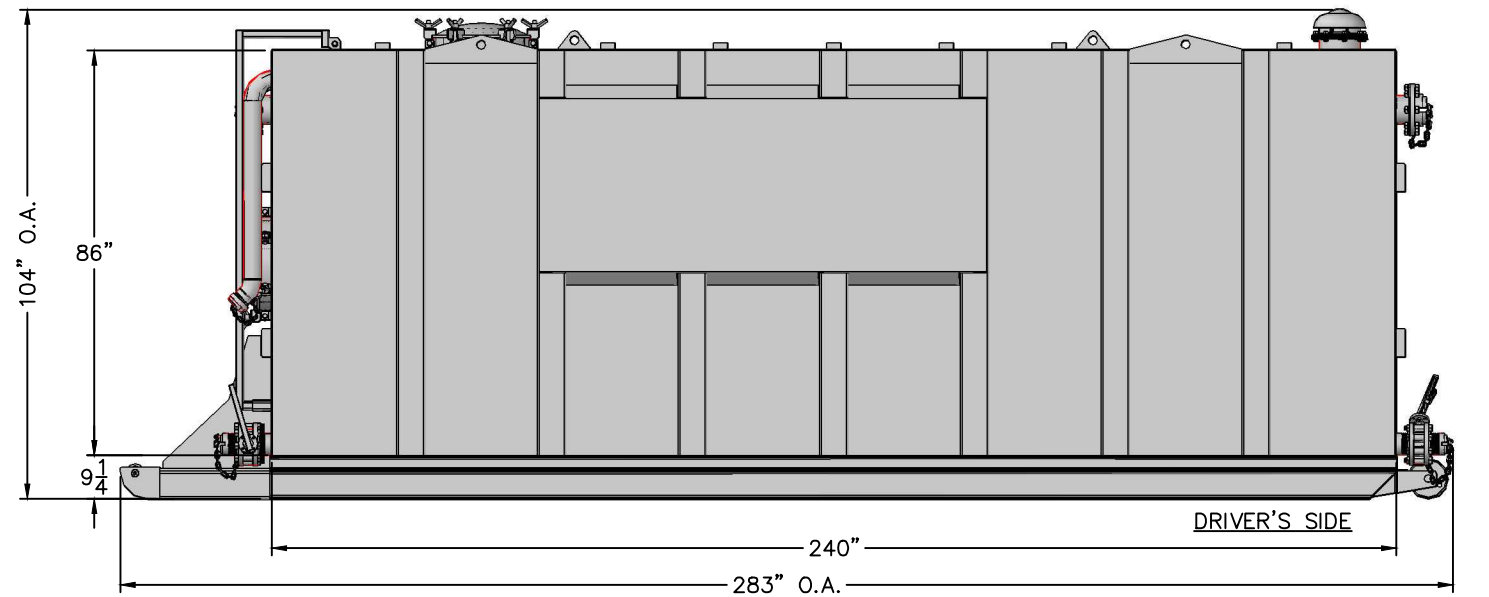
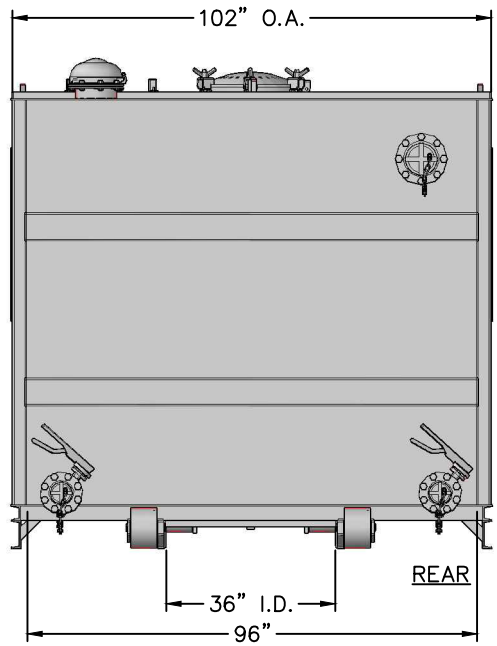
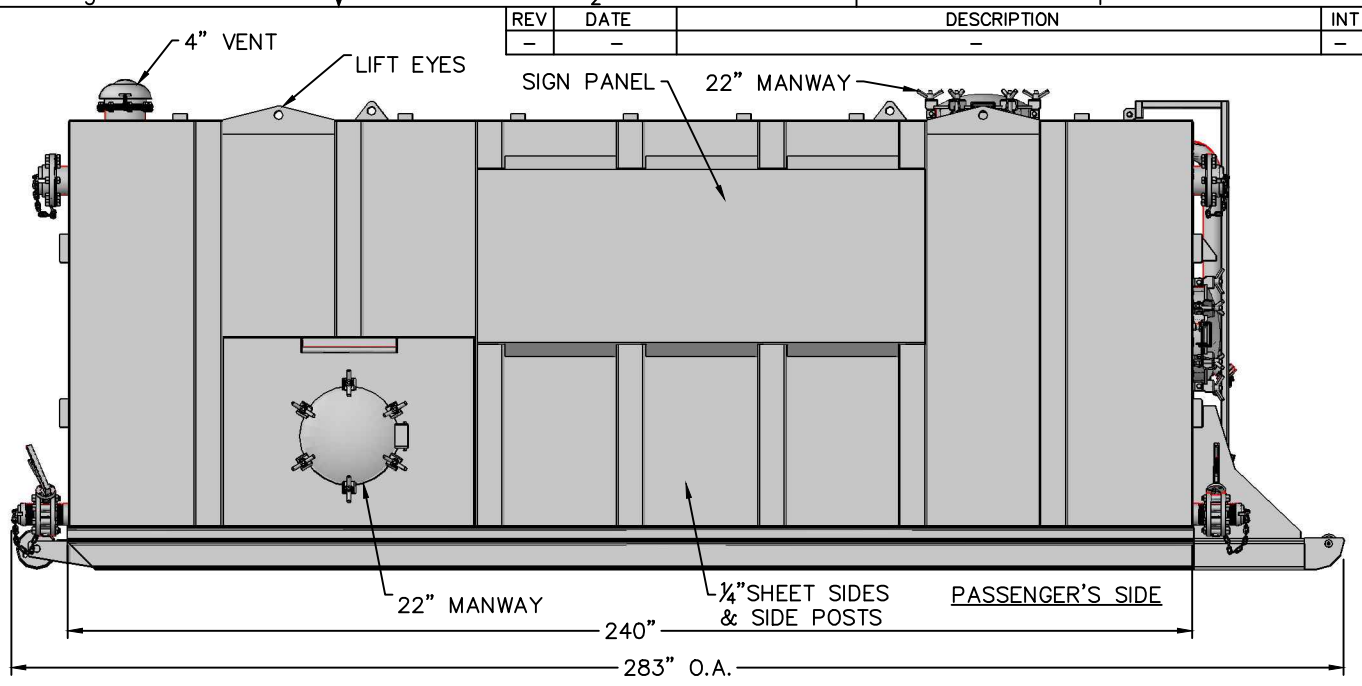
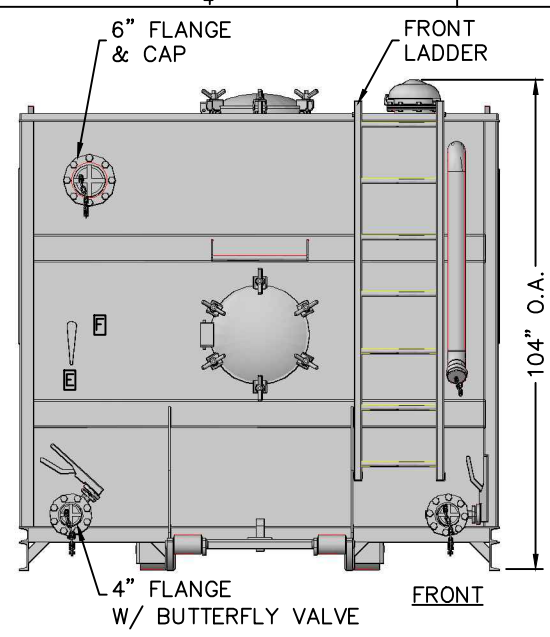


REV	DATE	DESCRIPTION	INT
-	-	-	-



CUSTOMER SIGNATURE REQUIRED TO PROCEED

**NOTES:**  
 1) ALL DIMENSIONS ARE IN INCHES, +/- 1/4", UNLESS OTHERWISE SPECIFIED ON THE DRAWING.  
 2) PLEASE REVIEW DRAWING(S), MAKE ANY CHANGES OR MODIFICATIONS THAT ARE APPROPRIATE, SIGN AND RETURN.

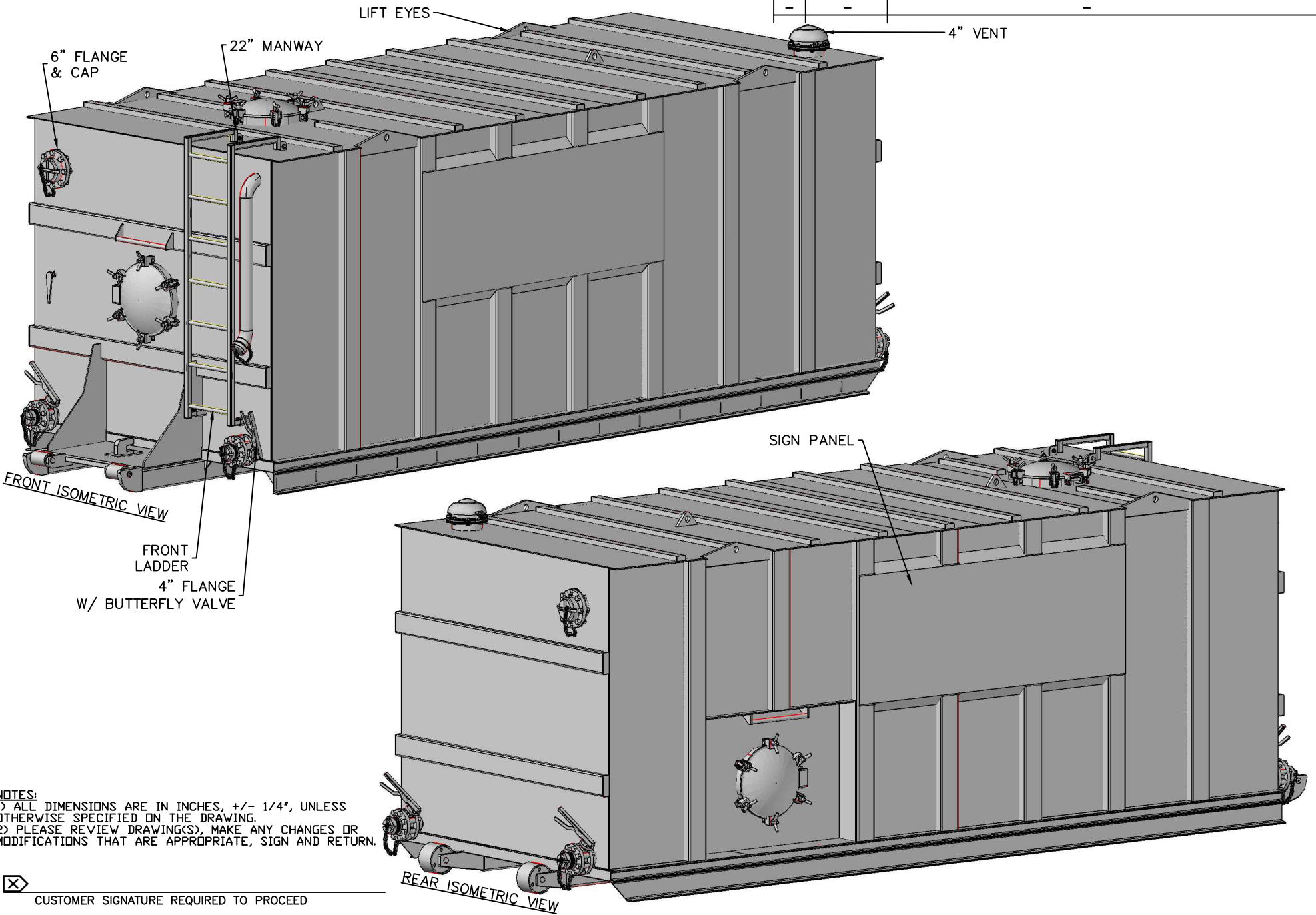


**CONFIDENTIAL PROPERTY OF CFC**  
 THIS DRAWING AND ALL OF THE INFORMATION CONTAINED HEREIN IS THE SOLE PROPERTY OF CONSOLIDATED FABRICATORS CORP. AND IS ONLY TO BE VIEWED, COPIED, SHARED OR TRANSMITTED BY AUTHORIZED PARTIES.



TITLE: 8500 GALLON CLOSED TOP MINI FRAC TANK			
DRAWN BY: F. DUTRA	DATE: 05-29-13	SCALE: N.T.S.	CUSTOMER: PROSPECTED CUSTOMER
(800)635-8335 TOLL FREE		www.con-fab.com	PAGE: 1 OF 2
			FILE NAME: ENG\CFC\GREY SCALE DWGS\MINI FRAC TANK

REV	DATE	DESCRIPTION	INT
-	-	-	-



NOTES:  
 1) ALL DIMENSIONS ARE IN INCHES, +/- 1/4", UNLESS OTHERWISE SPECIFIED ON THE DRAWING.  
 2) PLEASE REVIEW DRAWING(S), MAKE ANY CHANGES OR MODIFICATIONS THAT ARE APPROPRIATE, SIGN AND RETURN.

CUSTOMER SIGNATURE REQUIRED TO PROCEED



**CONFIDENTIAL PROPERTY OF CFC**  
 THIS DRAWING AND ALL OF THE INFORMATION CONTAINED HEREIN IS THE SOLE PROPERTY OF CONSOLIDATED FABRICATORS CORP. AND IS ONLY TO BE VIEWED, COPIED, SHARED OR TRANSMITTED BY AUTHORIZED PARTIES.



TITLE: 8500 GALLON OPEN TOP MINI FRAC TANK			
DRAWN BY: F. DUTRA	DATE: 05-29-13	SCALE: N.T.S.	CUSTOMER: PROSPECTED CUSTOMER
(800)635-8335 TOLL FREE		www.con-fab.com	PAGE: 2 OF 2
			FILE NAME: ENG\CFC\GREY SCALE DWGS\MINI FRAC TANK