

DOOR AND TIE BACK PLATE SPECIFICATION WORKSHEET

REV	DATE	DESCRIPTION	INT

A	
B	
C	
D	

E	
F	
G	
H	
I	

(10" MIN.)

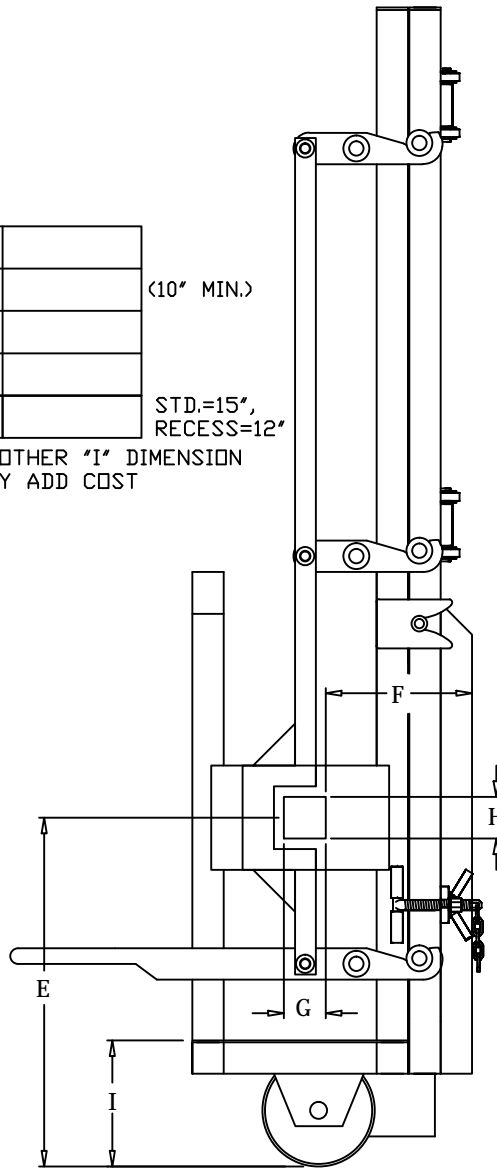
STD.=15", RECESS=12"

\* OTHER 'I' DIMENSION MAY ADD COST

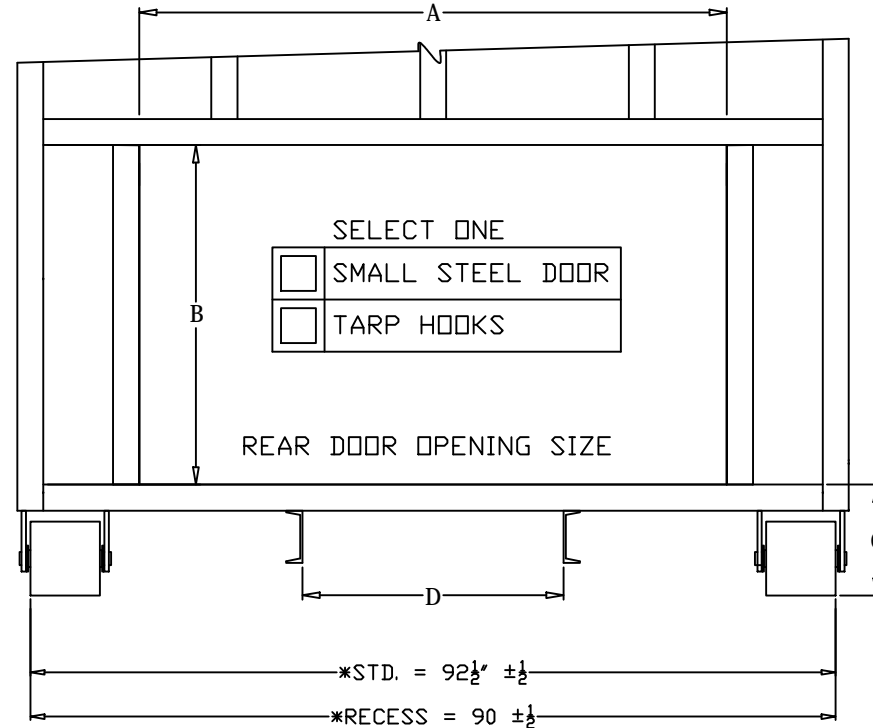
SELECT ONE

- SMALL STEEL DOOR
- TARP HOOKS

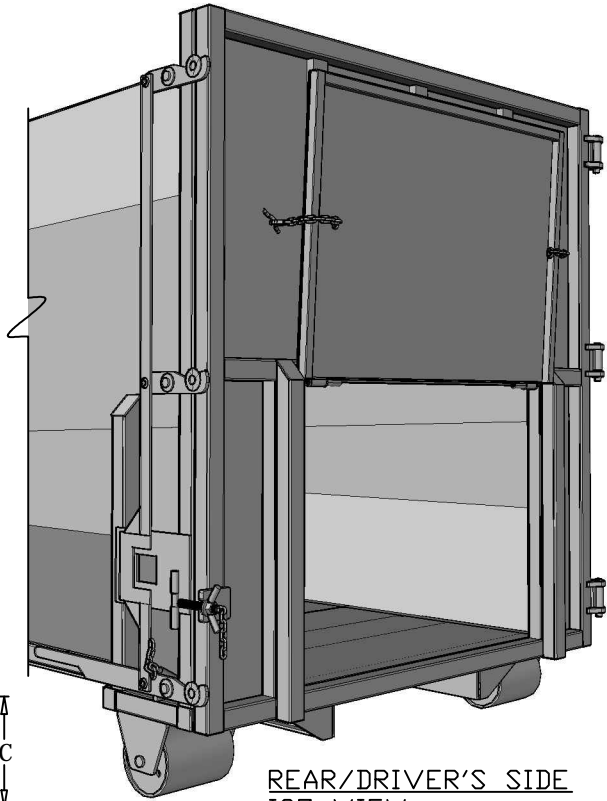
REAR DOOR OPENING SIZE



TIE BACK LOCATION



\*STD. = 92 1/2 ± 1/2  
\*RECESS = 90 ± 1/2



REAR/DRIVER'S SIDE ISO-VIEW

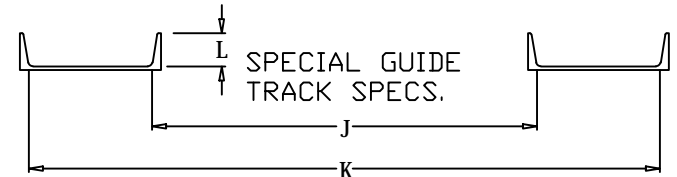
\* NOTE: YOU WILL ONLY FILL OUT THIS SECTION IF OUR STANDARD OR RECESS WHEEL O.D. DIMENSION SPECS WILL NOT WORK FOR YOUR APPLICATION

J	
K	
L	

NOTE SPECIAL WHEEL REQUIREMENTS IF APPLICABLE \_\_\_\_\_

NOTES:

- 1) ALL DIMENSIONS ARE IN INCHES, +/- 1/4", UNLESS OTHERWISE SPECIFIED ON THE DRAWING.
- 2) PLEASE REVIEW DRAWING(S), MAKE ANY CHANGES OR MODIFICATIONS THAT ARE APPROPRIATE, SIGN AND RETURN.



SPECIAL GUIDE TRACK SPECS.



CUSTOMER SIGNATURE REQUIRED TO PROCEED



CONFIDENTIAL PROPERTY OF CFC

THIS DRAWING AND ALL OF THE INFORMATION CONTAINED HEREIN IS THE SOLE PROPERTY OF CONSOLIDATED FABRICATORS CORP. AND IS ONLY TO BE VIEWED, COPIED, SHARED OR TRANSMITTED BY AUTHORIZED PARTIES.



TITLE: OCTAGON COMPACTOR RECEIVER

DRAWN BY: F. DUTRA    DATE: 10-15-13    SCALE: N.T.S.    CUSTOMER: PROSPECTIVE CUSTOMER

(800)635-8335 TOLL FREE    www.con-fab.com    PAGE: 1 OF 1    FILE NAME: ENG\CFC\BLACK&GREY WEBSITE DRAWINGS