

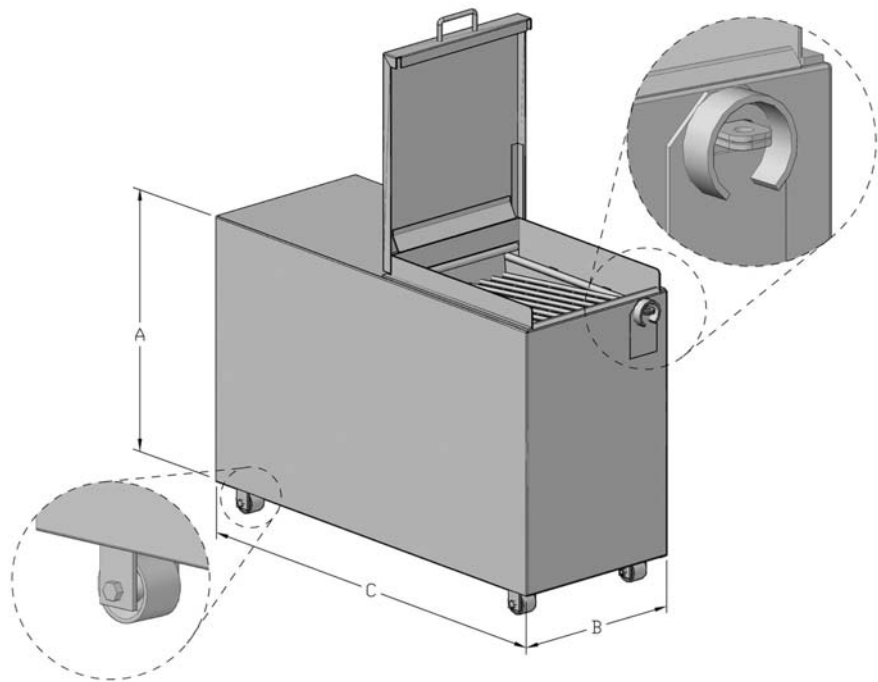
Heavy Duty Grease Bin



Dimensions and Drawing

Product #	Size Gallons	Height* (A)	Width (B)	Length (C)
11986	130	30"	24"	42"
11987	224	36"	24"	60"
11988	336	36"	36"	60"

*Std casters add 4" to height

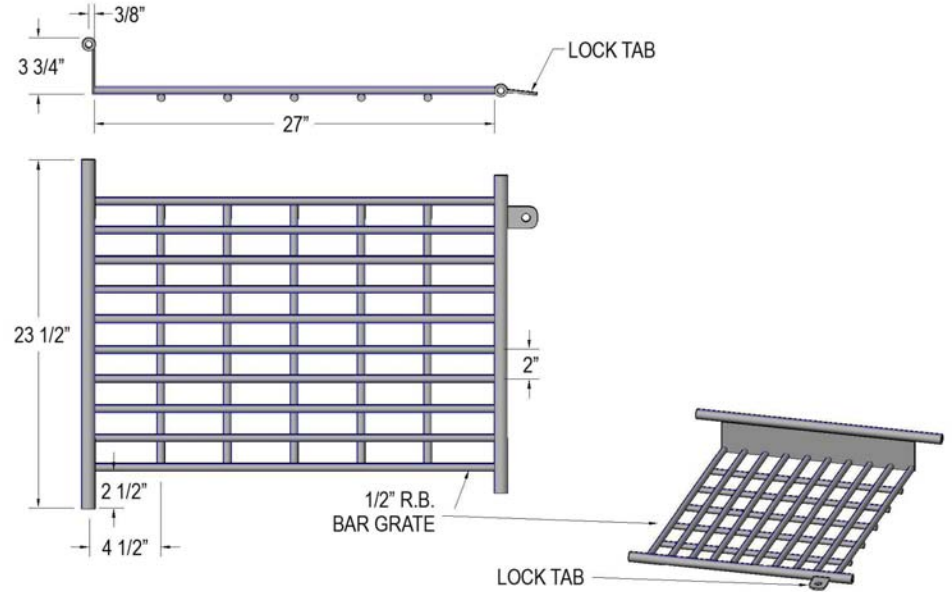


Dimensions for Bar Grate on the following page.

Heavy Duty Grease Bin



Heavy Duty Bar Grate



Optional: 1" Spacing Bar Grate

