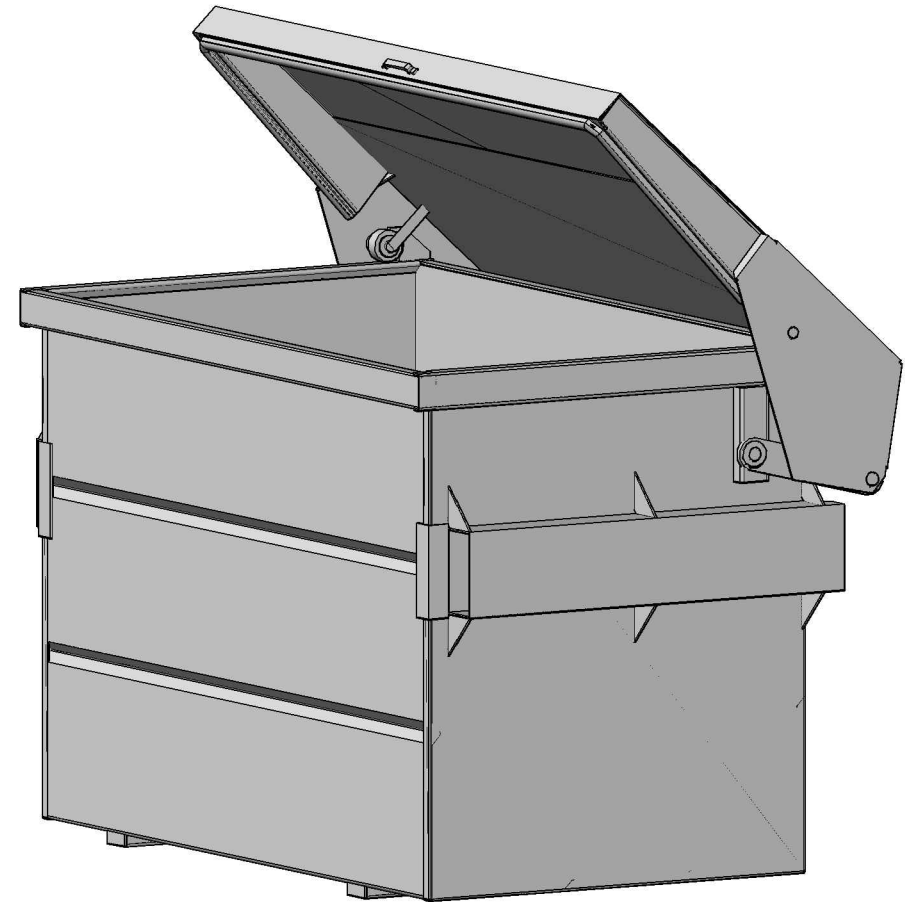
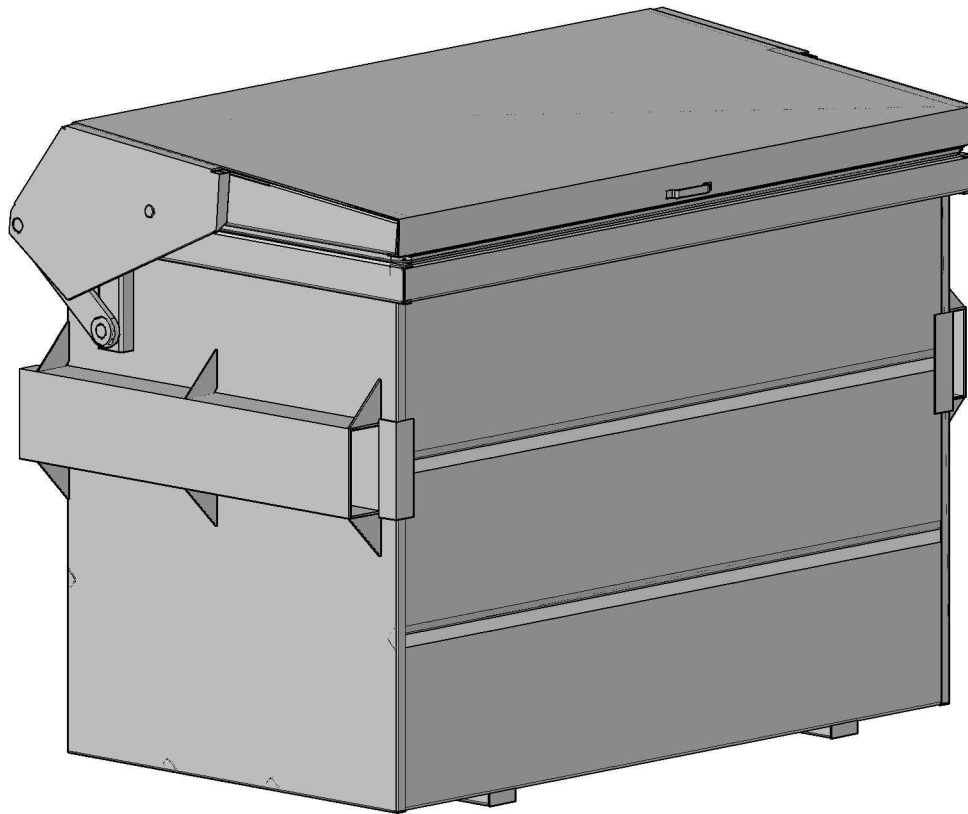


2		1		INT
REV	DATE	DESCRIPTION		



NOTES:
 1) ALL DIMENSIONS ARE IN INCHES, +/- 1/4", UNLESS OTHERWISE SPECIFIED ON THE DRAWING.
 2) PLEASE REVIEW DRAWING(S), MAKE ANY CHANGES OR MODIFICATIONS THAT ARE APPROPRIATE, SIGN AND RETURN.



CUSTOMER SIGNATURE REQUIRED TO PROCEED



CONFIDENTIAL PROPERTY OF CFC

THIS DRAWING AND ALL OF THE INFORMATION CONTAINED HEREIN IS THE SOLE PROPERTY OF CONSOLIDATED FABRICATORS CORP. AND IS ONLY TO BE VIEWED, COPIED, SHARED OR TRANSMITTED BY AUTHORIZED PARTIES.



TITLE: COUNTER BALANCE LID				
DRAWN BY: F. DUTRA	DATE: 05-15-13	SCALE: N.T.S.	CUSTOMER: PROSPECTIVE CUSTOMER	
(800)635-8335 TOLL FREE		www.con-fab.com	PAGE: 1 OF 1	FILE NAME: ENG\CFC\BLACK&GREY WEBSITE DRAWINGS