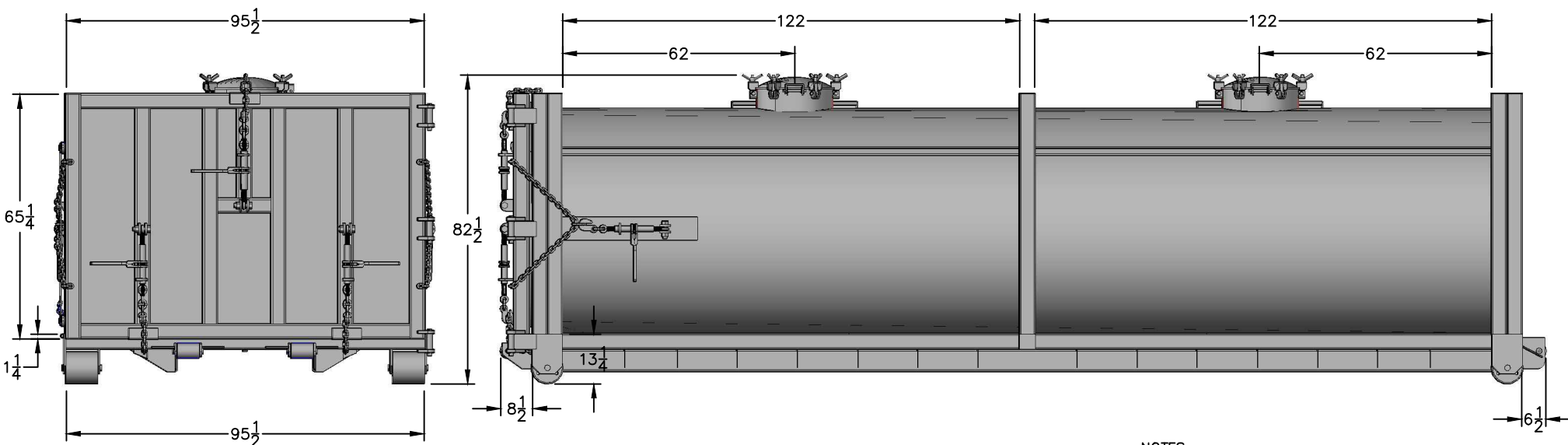
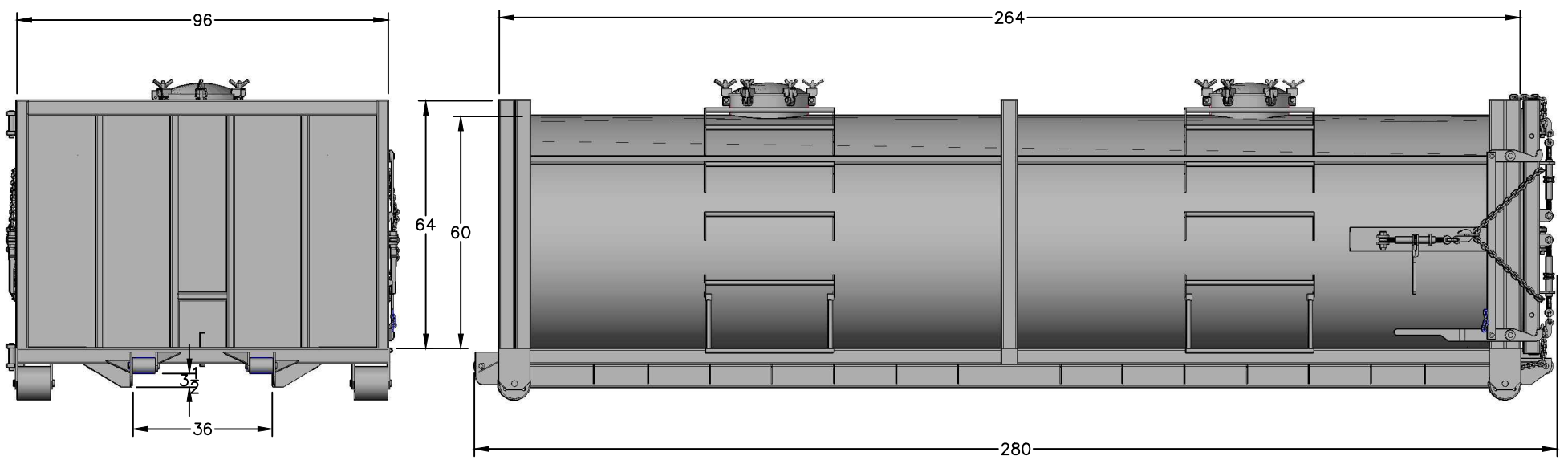


REV	DATE	DESCRIPTION	INT
-	-	-	-



CUSTOMER SIGNATURE REQUIRED TO PROCEED

**NOTES:**  
 1) ALL DIMENSIONS ARE IN INCHES, +/- 1/4", UNLESS OTHERWISE SPECIFIED ON THE DRAWING.  
 2) PLEASE REVIEW DRAWING(S), MAKE ANY CHANGES OR MODIFICATIONS THAT ARE APPROPRIATE, SIGN AND RETURN.

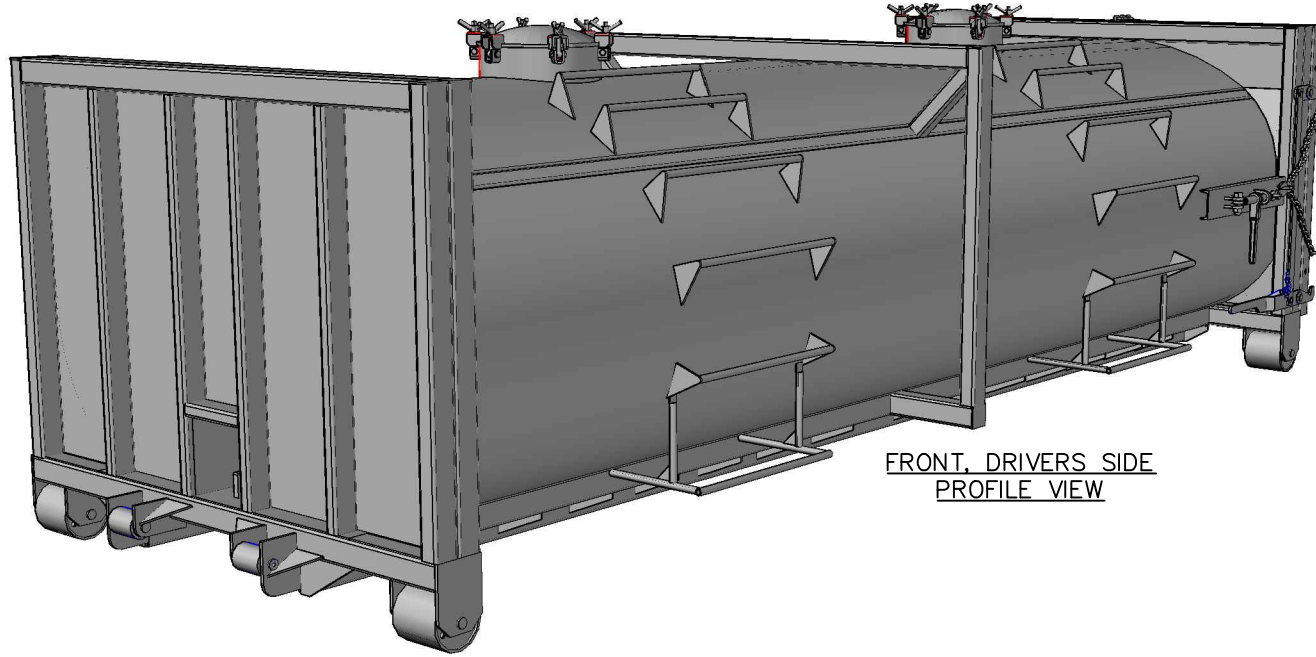


**CONFIDENTIAL PROPERTY OF CFC**  
 THIS DRAWING AND ALL OF THE INFORMATION CONTAINED HEREIN IS THE SOLE PROPERTY OF CONSOLIDATED FABRICATORS CORP. AND IS ONLY TO BE VIEWED, COPIED, SHARED OR TRANSMITTED BY AUTHORIZED PARTIES.

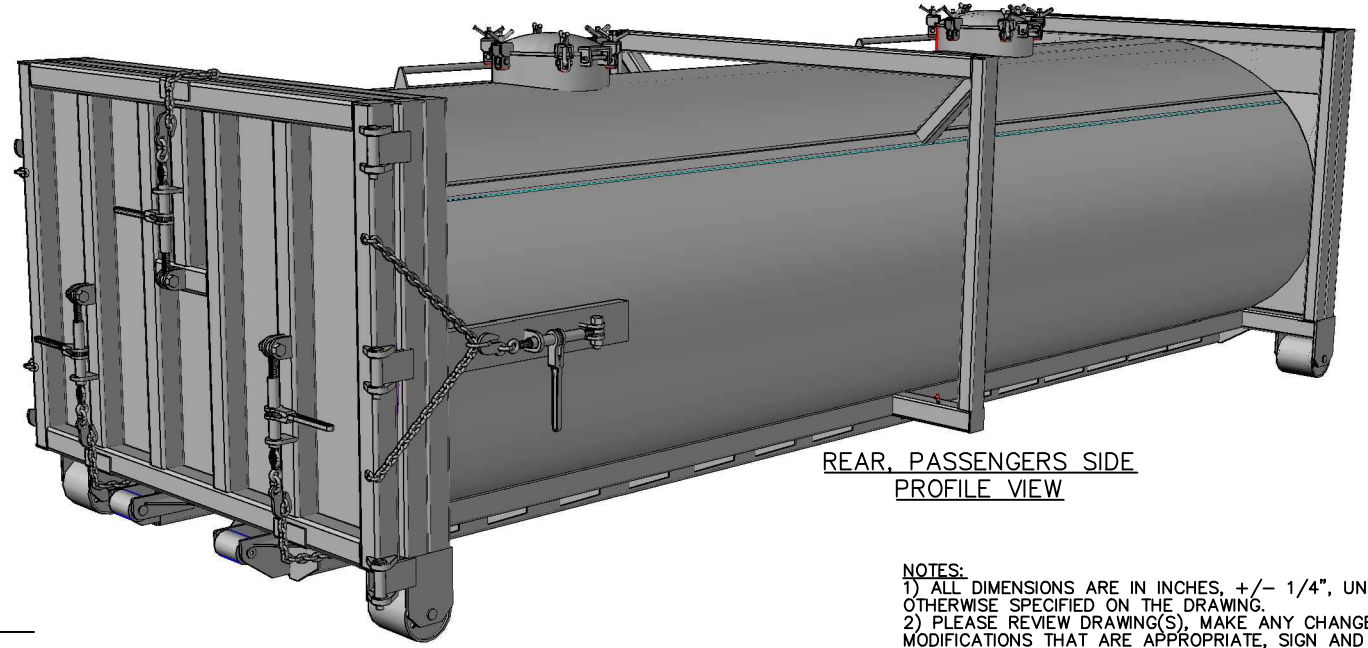


TITLE: 22 x 5 - 5000 GAL. VACUUM BODY			
DRAWN BY: R. CARDENAS	DATE: 09-10-2014	SCALE: N.T.S.	CUSTOMER: PROSPECTIVE CUSTOMER
(800)635-8335 TOLL FREE		www.con-fab.com	PAGE: 1 OF 2
			FILE NAME: ENG\CUSTOMER\22 X 5 VACUUM BODY

REV	DATE	DESCRIPTION	INT
-	-	-	-



FRONT, DRIVERS SIDE  
PROFILE VIEW



REAR, PASSENGERS SIDE  
PROFILE VIEW

NOTES:  
 1) ALL DIMENSIONS ARE IN INCHES, +/- 1/4", UNLESS OTHERWISE SPECIFIED ON THE DRAWING.  
 2) PLEASE REVIEW DRAWING(S), MAKE ANY CHANGES OR MODIFICATIONS THAT ARE APPROPRIATE, SIGN AND RETURN.

 CUSTOMER SIGNATURE REQUIRED TO PROCEED



**CONFIDENTIAL PROPERTY OF CFC**

THIS DRAWING AND ALL OF THE INFORMATION CONTAINED HEREIN IS THE SOLE PROPERTY OF CONSOLIDATED FABRICATORS CORP. AND IS ONLY TO BE VIEWED, COPIED, SHARED OR TRANSMITTED BY AUTHORIZED PARTIES.



TITLE: 22 x 5 - 5000 GAL. VACUUM BODY			
DRAWN BY: R. CARDENAS	DATE: 09-10-2014	SCALE: N.T.S.	CUSTOMER: PROSPECTIVE CUSTOMER
(800)635-8335 TOLL FREE		www.con-fab.com	PAGE: 2 OF 2
			FILE NAME: ENG\CUSTOMER\22 x 5 VACUUM BODY