

Pivot-Style Hopper



EXCLUSIVE STYLE

Standard Specifications

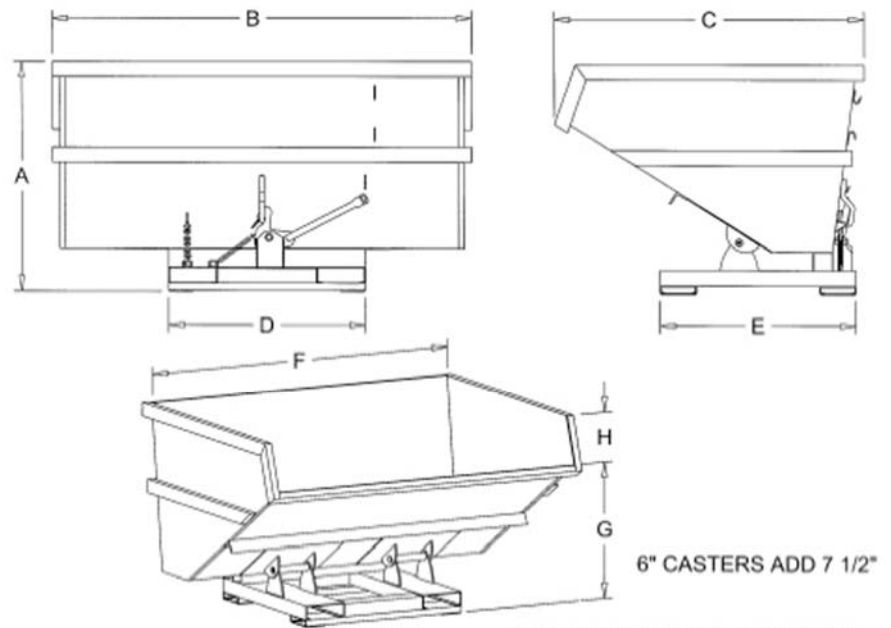
- 12 GA heavy duty construction.
- Center banding for support.
- Dropped front for clean dumping. 1 cu yd has no drop front.
- Heavy duty base with 7 GA fork channels and skids.
- Pivot axles have grease fittings and pivot plates are reinforced with 7 GA support structure.
- Full inseam weld.
- Bolt holes for casters.
- Safety chain and hooks.
- Retaining chain.
- Available with plastic lids.
- Interior and exterior coated with rust inhibitive alkyd primer.
- Exterior (including bottom) painted with your choice of standard color with alkyd enamel paint. Some colors may be extra.
- Available in 3/8, 3/4, 1, 1 1/2, 2, 3 & 4 cu yd capacities.

Pivot Hopper

Dimensions and Drawing



SIZE *	A	B	C	D	E	F	G	H
3/8 YD.	28 1/4"	32 1/4"	37 1/2"	28"	26"	30"	22"	6 1/2"
3/4 YD.	28 1/4"	62 1/4"	37 1/2"	36"	26"	60"	22"	6 1/2"
1 YD.	39 1/2"	41 1/2"	68 1/4"	38"	42"	38"	----	----
1 1/2 YD.	49 1/2"	45 1/2"	66 1/2"	42"	42"	42"	38"	11 1/2"
2 YD.	49 1/2"	63 1/2"	66 1/2"	42"	42"	60"	38"	11 1/2"
3 YD.	49 1/2"	83 1/2"	66 1/2"	42"	42"	80"	38"	11 1/2"
4 YD.	59 1/2"	83 1/2"	80"	42"	51"	80"	47 1/2"	12"



* DIMENSIONS ARE SUBJECT TO VARIATIONS. ADVISE YOUR SALES REPRESENTATIVE IF DIMENSIONS ARE CRITICAL